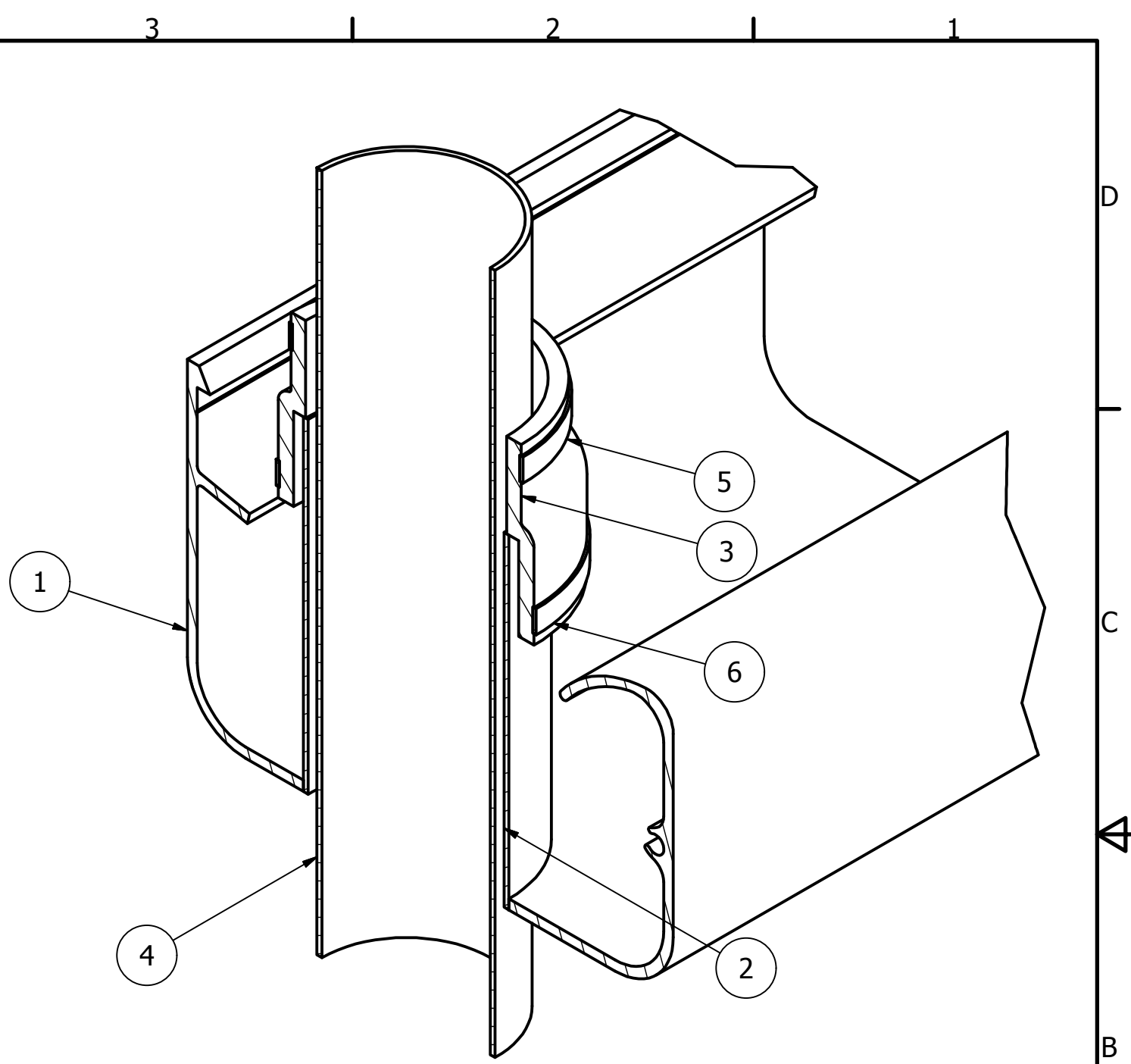


SECTIONAL VIEW
Scale= 1 : 2 (A3)



BALLOON REFERENCED ISOMETRIC VIEW

6	1	Jubilee Clip-lg	153 to 121 Jubilee Clip
5	1	Jubilee Clip-sm	136 to 112 Jubilee Clip
4	1	Soil Pipe	Standard Soil Pipe - Through
3	1	Seal	Special Rubberised Seal
2	1	Outer Sleeve	Aluminium Pipe - 200 mm long
1	1	300 Gutter	300 mm "Walk Along" Box Gutter
ITEM	QTY	PART NAME	DESCRIPTION

SOIL PIPE APPLICATION PARTS LIST

Designed by ELTECH	Drawn by MAW DESIGN	Approved by ELTECH	Date	Date 21/08/2011
-----------------------	------------------------	-----------------------	------	--------------------

ELTECH GUTTERS	300 mm GUTTER SOIL PIPE SEAL		
	SVP Application-1	Edition	Sheet 1 / 1